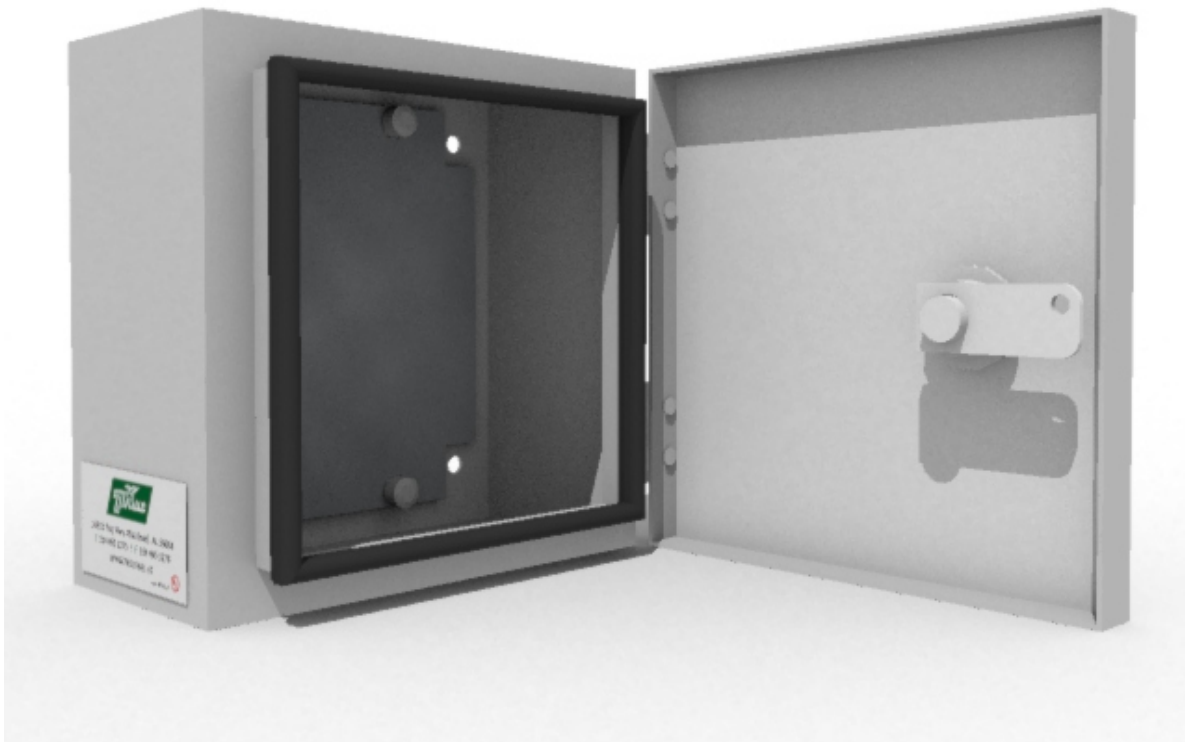


Power Box PB - Small Enclosure



Model No.
PB-70150-01

Download
PDF files

Product description

Material :

Enclosure & Door : Sheet Steel, E or U Type rubber seal

Surface Finish :

Enclosure & Door : Powder-Coated on the outside, textured paint

Mounting Plate : Zinc-plated

Color :

ANSI 70

Protection category IP :

IP66

Protection category NEMA :

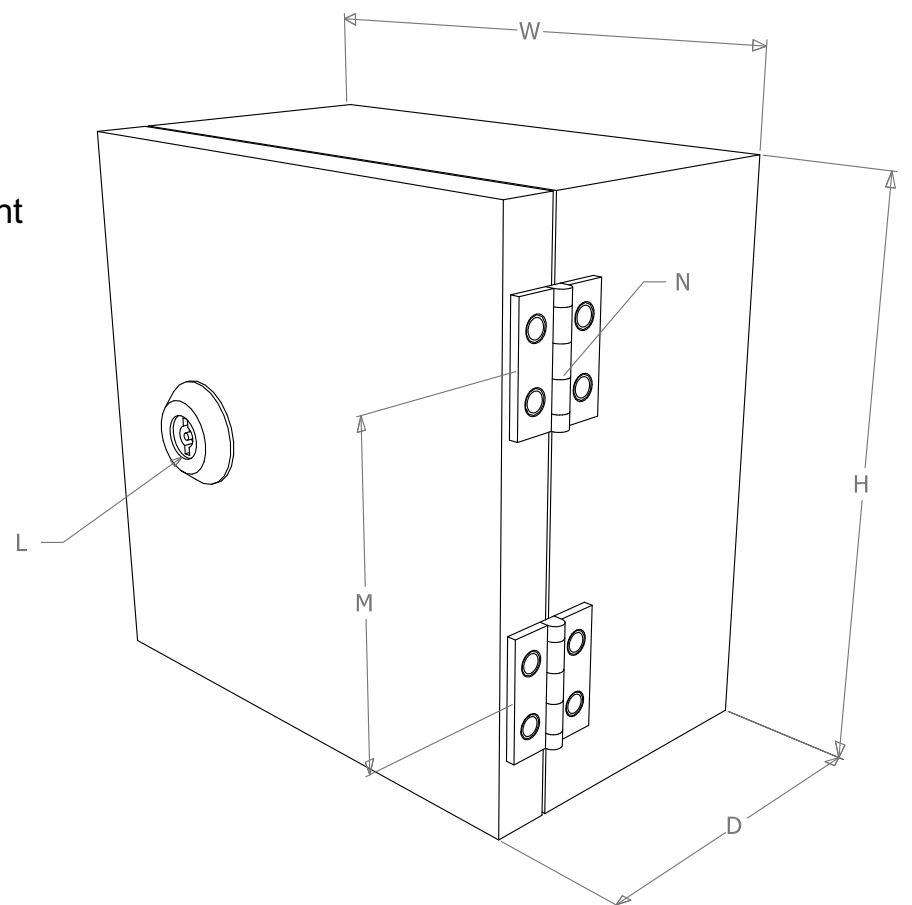
NEMA 4X

Approval :

UL & UL 508a

Accessories :

[click here](#)



Model No.	Height (mm)	Width (mm)	Depth (mm)	Doors (ea)
PB-70150-01	150	150	80	1
PB-70150-02	150	150	150	1
PB-70200-01	200	150	150	1
PB-70200-02	200	150	150	1
PB-70250-01	250	150	150	1
PB-70250-02	250	150	150	1
PB-70300-01	300	150	180	1
PB-70300-02	300	150	180	1
PB-70350-01	350	150	180	1
PB-70350-02	350	150	180	1
PB-70400-01	400	150	250	1
PB-70400-02	400	150	250	1

Power Box CB - Midium Enclosure



Model No.
CB-60450-01

Download
PDF files

Product description

Material :

Enclosure & Door : Sheet Steel, E or U Type rubber seal

Surface Finish :

Enclosure & Door : Powder-Coated on the outside, textured paint

Mounting Plate : Zinc-plated

Monuting Board : Powder-Coated, textured paint

Color :

ANSI 70

Protection category IP :

IP66

Protection category NEMA :

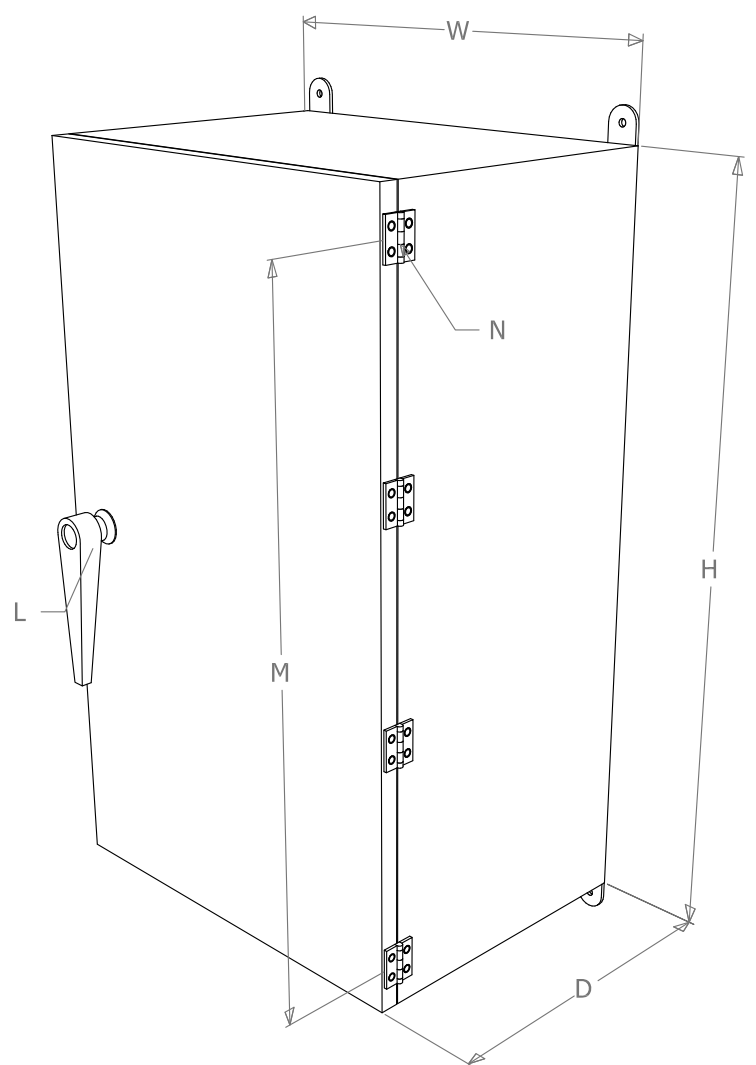
NEMA 4X

Approval :

UL & UL 508a

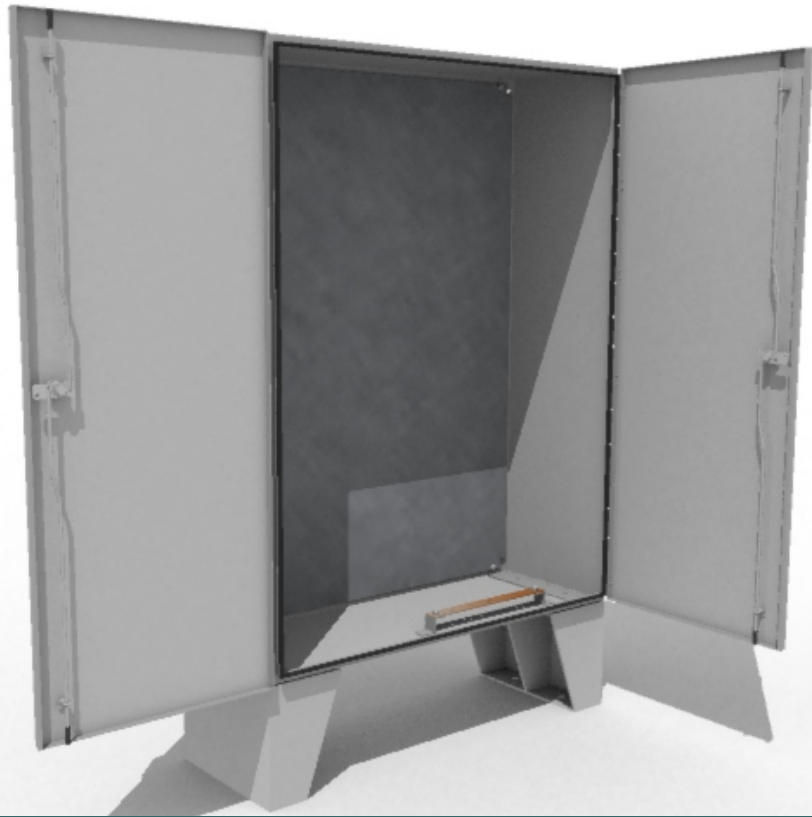
Accessories :

[click here](#)



Model No.	Width (mm)	Height (mm)	Depth (mm)	Doors (ea)
CB-60450-01	450	600	250	1
CB-60450-02	450	600	300	1
CB-60500-01	500	600	250	1
CB-60500-02	500	600	300	1
CB-60600-01	600	600	250	1
CB-60600-02	600	600	300	1
CB-60600-03	600	600	350	1
CB-60600-04	600	600	400	1
CB-60800-01	800	800	250	1
CB-60800-02	800	800	300	1

Power Box LB - Large Enclosure



Model No.
LB-50900-01

Download
PDF files

Product description

Material :

Enclosure & Door : Sheet Steel, E or U Type rubber seal
Enclosure Stand : Sheet Steel

Surface Finish :

Enclosure & Door : Powder-Coated on the outside, textured paint
Mounting Plate : Zinc-plated
Monuting Board : Powder-Coated, textured paint

Color :

ANSI 70

Protection category IP :

IP66

Protection category NEMA :

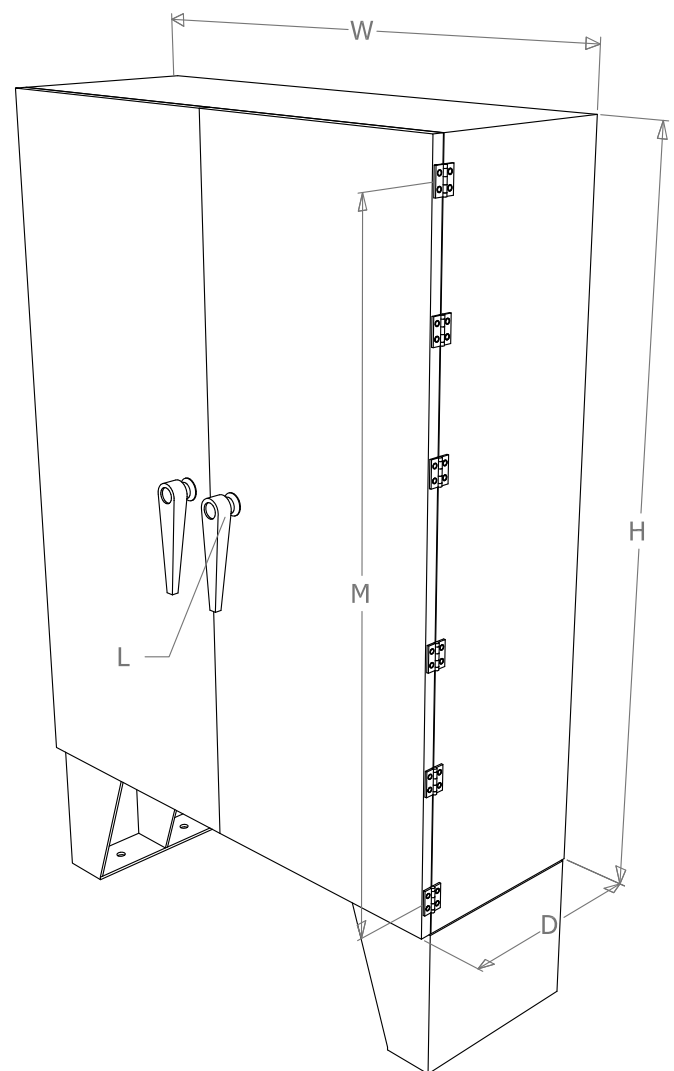
NEMA 4X

Approval :

UL & UL 508a

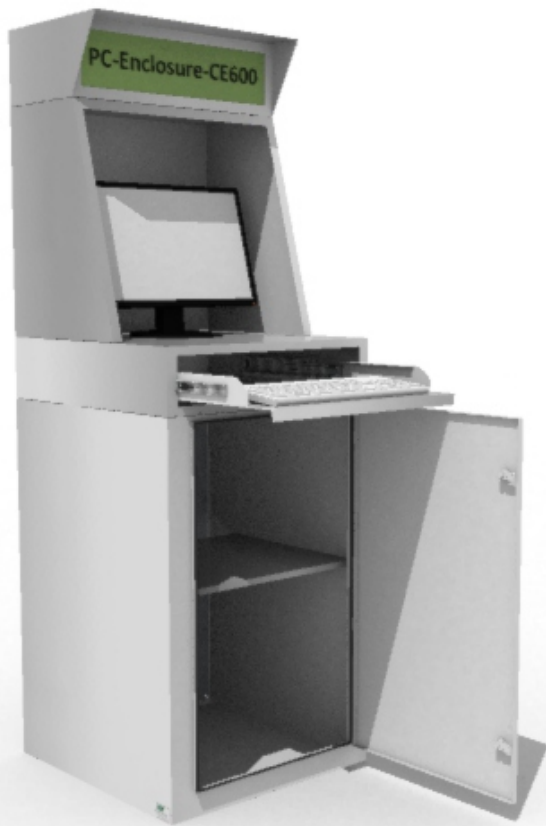
Accessories :

[click here](#)



Model No.	Width (mm)	Height (mm)	Depth (mm)	Doors (ea)
LB-50900-01	900	1000	300	2
LB-50900-02	900	1000	450	2
LB-501000-01	1000	1000	300	2
LB-501000-02	1000	1000	450	2
LB-501200-01	1200	1200	450	2
LB-501200-02	1200	1200	600	2
LB-501200-03	1200	1400	600	2
LB-501200-04	1200	1400	700	2
LB-501500-01	1500	1500	700	2
LB-501500-02	1500	1800	700	2

PC enclosure system - CE



Model No.
CE-80600-01

Download
PDF files

Product description

Material :

Enclosure & Door : Sheet Steel, E or U Type rubber seal
Keyboard drawer & enclosure : Sheet Steel
Monitor housing : Sheet Steel
Sign box : Sheet Steel & polycarbonatel

Surface Finish :

Enclosure & Door : Powder-Coated on the outside, textured paint
Mounting Plate : Zinc-plated
Monuting Board : Powder-Coated, textured paint
Keyboard drawer & enclosure : Powder-Coated, textured paint
Monitor housing : Powder-Coated, textured paint
Sign box : Powder-Coated, textured paint

Color :

ANSI 70

Protection category IP :

IP66

Protection category NEMA :

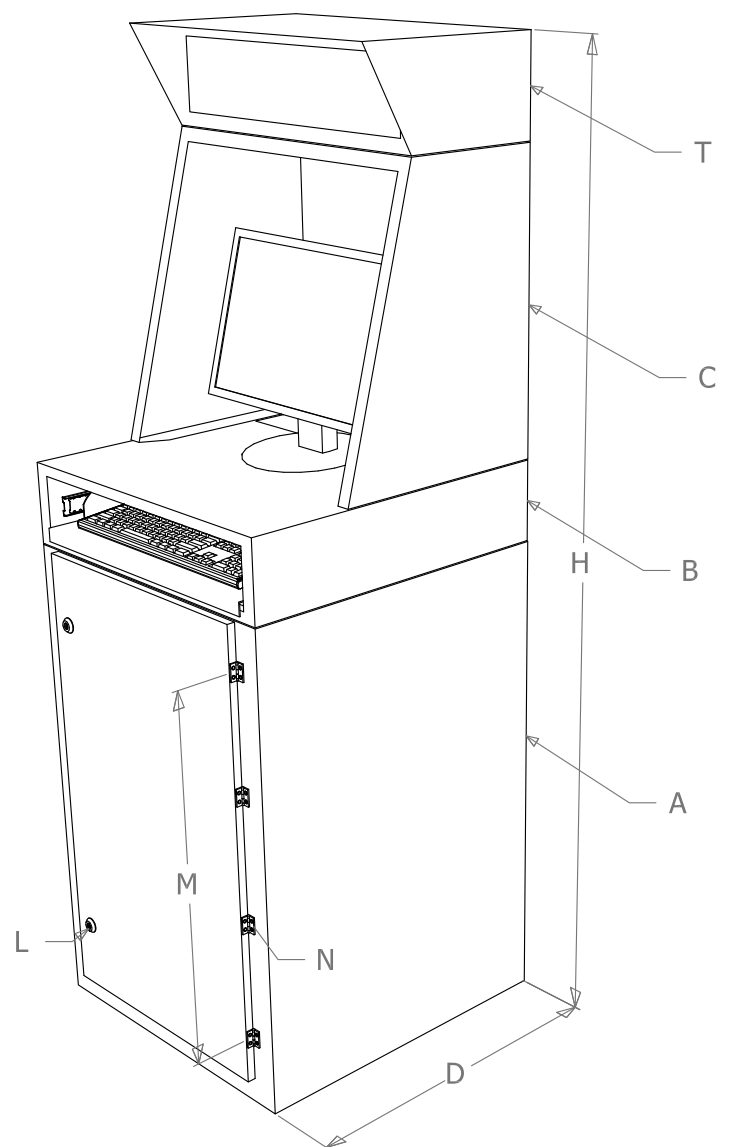
NEMA 4X

Approval :

UL & UL 508a

Accessories :

[click here](#)



Model No.	Width (mm)	Height (mm)	Depth (mm)	Doors (ea)
CE-80600-01	600	1750	600	1
CE-80600-02	600	1600	600	1
CE-80600-03	600	1100	600	1
CE-80600-04	600	950	600	1
CE-801200-01	1200	1750	600	2
CE-801200-02	1200	1600	600	2
CE-801200-03	1200	1100	600	2
CE-801200-04	1200	950	600	2

PC stand system - CS



Model No.
CS-90600-01

Download
PDF files

Product description

Material :

PC stand & base : Sheet Steel, Steel SQ & Round Tube, Caster
Keyboard drawer & enclosure : Sheet Steel
Monitor housing : Sheet Steel
Sign box : Sheet Steel & polycarbonatel

Surface Finish :

PC stand & base : Powder-Coated on the outside, textured paint
Mounting Plate : Zinc-plated
Monuting Board : Powder-Coated, textured paint
Keyboard drawer & enclosure : Powder-Coated, textured paint
Monitor housing : Powder-Coated, textured paint
Sign box : Powder-Coated, textured paint

Color :

ANSI 70

Protection category IP :

IP66

Protection category NEMA :

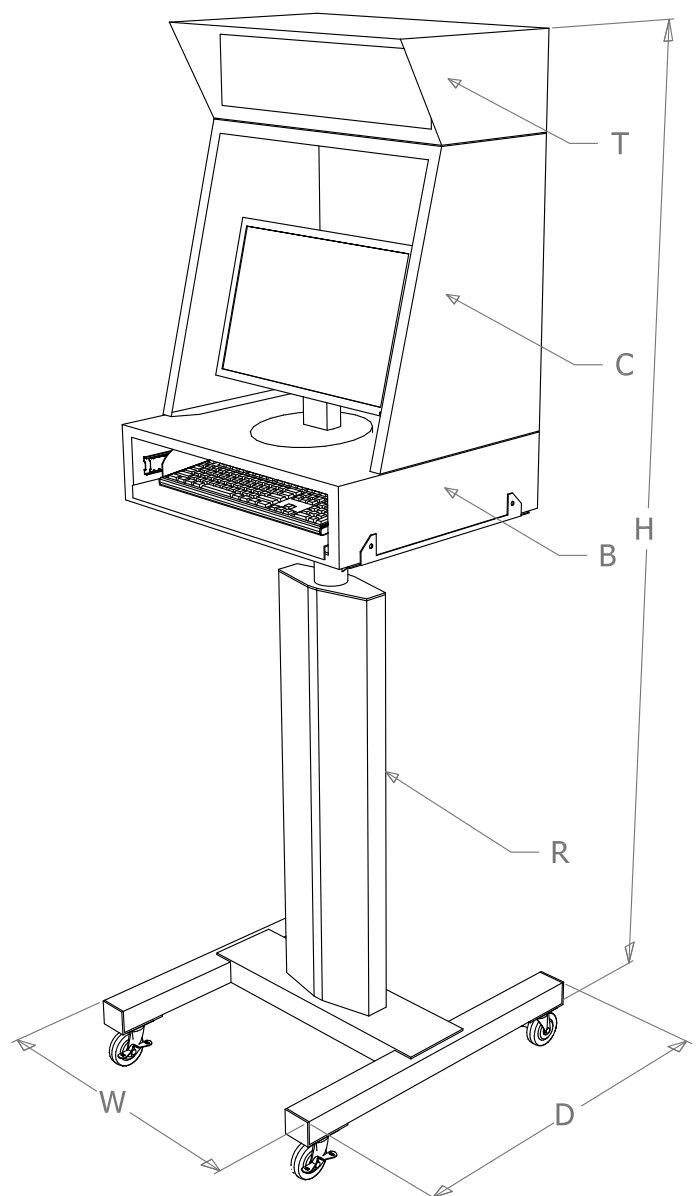
NEMA 4X

Approval :

UL & UL 508a

Accessories :

[click here](#)



Model No.	Width (mm)	Height (mm)	Depth (mm)	Casters (ea)
CS-90600-01	600	1750	700	4
CS-90600-02	600	1600	700	4
CS-90600-03	600	1100	700	4
CS-90600-04	600	950	700	4
CS-901200-01	1200	1750	700	4
CS-901200-02	1200	1600	700	4
CS-901200-03	1200	1100	700	4
CS-901200-04	1200	950	700	4